

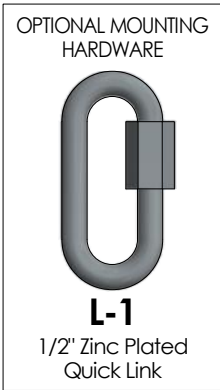
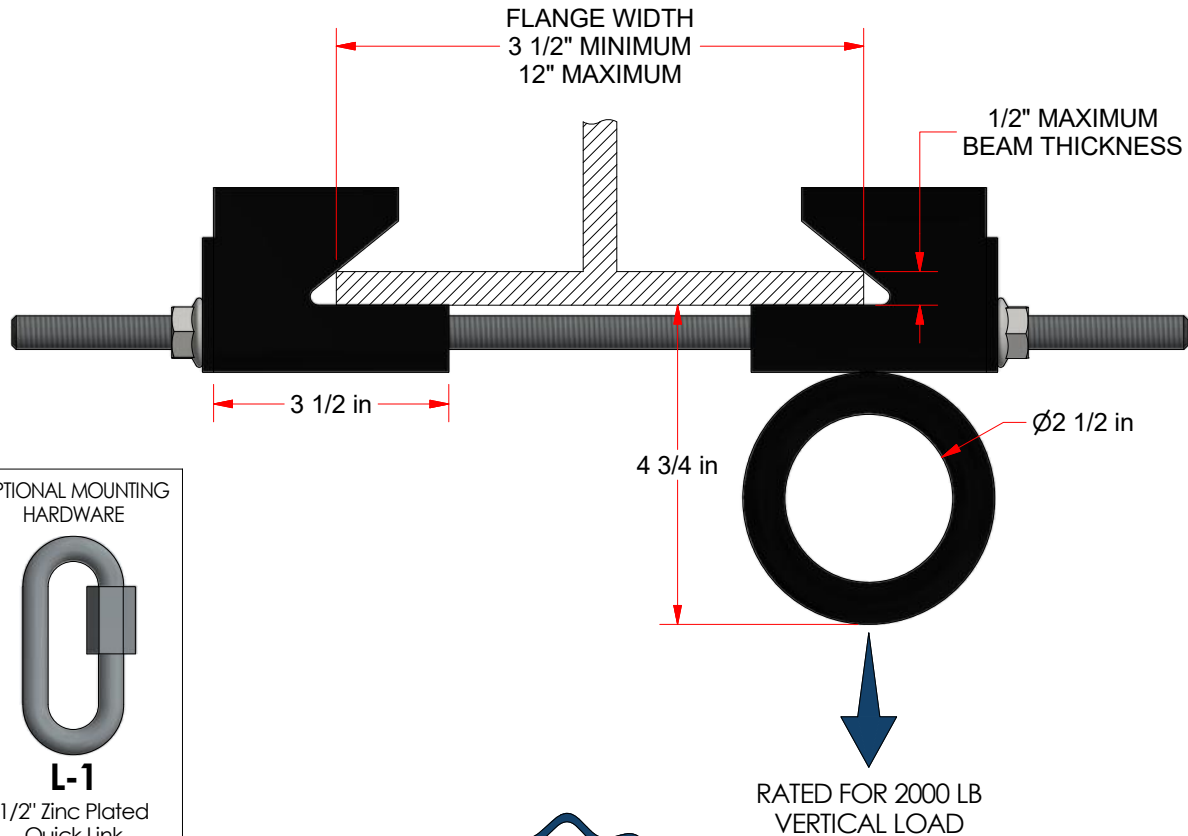
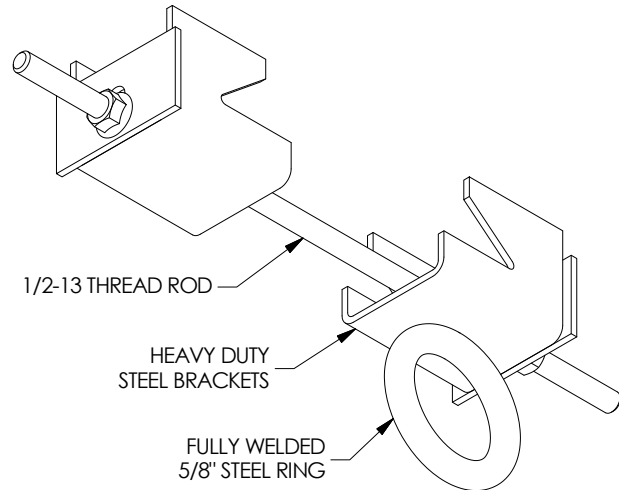
# A-312 ADJUSTABLE BEAM CLAMP

The Adjustable Beam Clamp (A-312) is made of steel with 1/2-13 threaded rod for adjustment, secured and locked into position with serrated flange locknuts. The beam clamp is constructed of heavy gauge steel brackets with a 5/8" OD steel ring to easily connect climbing ropes or nets. Brackets supplied with a durable black powder coat finish.

These beam clamps are specifically designed to mount to horizontal beams and withstand vertical loading. These beams clamps are not intended for angled / sloped beams or with any equipment involving swinging. Please refer to the specific net or rope installation for the recommended number of clamps for each specific piece of Jammarmfg equipment.

Climbing ropes and nets must be hung from structurally adequate framework which will exceed any load placed on the equipment. Most beams and ceiling framework in institutional buildings will meet this criteria, however, always confirm this with you architect, building plans, and / or structural engineering. Jammarmfg is not responsible for the structural adequacy of the building structure.

Please note, this beam clamp is not considered a permanent fixture and requires periodic inspection to ensure top performance.



RATED FOR 2000 LB VERTICAL LOAD

